



File Name: crosman auto air ii manual.pdf

Size: 4605 KB

Type: PDF, ePub, eBook

Category: Book

Uploaded: 22 May 2019, 15:46 PM

Rating: 4.6/5 from 593 votes.

Status: AVAILABLE

Last checked: 15 Minutes ago!

In order to read or download crosman auto air ii manual ebook, you need to create a FREE account.

[Download Now!](#)

eBook includes PDF, ePub and Kindle version

[Register a free 1 month Trial Account.](#)

[Download as many books as you like \(Personal use\)](#)

[Cancel the membership at any time if not satisfied.](#)

[Join Over 80000 Happy Readers](#)

Book Descriptions:

We have made it easy for you to find a PDF Ebooks without any digging. And by having access to our ebooks online or by storing it on your computer, you have convenient answers with crosman auto air ii manual . To get started finding crosman auto air ii manual , you are right to find our website which has a comprehensive collection of manuals listed.

Our library is the biggest of these that have literally hundreds of thousands of different products represented.



Book Descriptions:

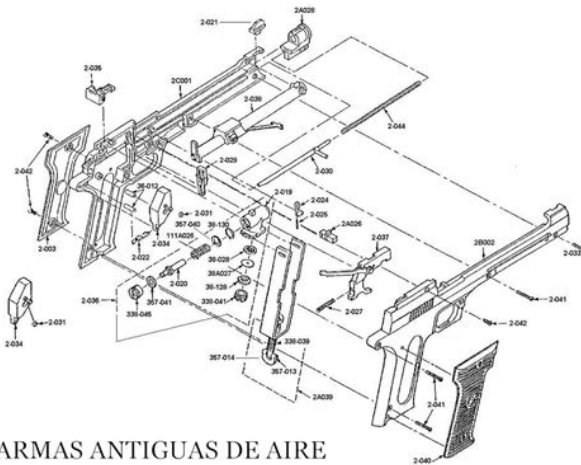
crosmán auto air ii manual



Well youve come to the right place because this category contains owners manuals and exploded views of parts diagrams. Click on the links below or you can even do a search. Please note that pricing on exploded view of parts EVPs is subject to change. For current prices, please contact Customer Service at 18007AIRGUN 7247486. We recently changed some things on our PCP and Break Barrel Air Rifle warranties. For more information, head on over to our warranty page. Did you miss your activation email Resealed some rings but unable to find a replacement valve. Love the design, feel and uniqueness of it. The gun is mint except for the valve. I removed the safety during one of the disassemblies since it was quite loose still have it. If anyone has a good valve or knows a source for one, please let me know. My best friend tommy had one, it was the first pistol i ever shot. Anyway, you should not have to replace the valve, it should just be the seals, and thats it Guess Ill have to take another look inside. Been awhile since last disassembly. All mine needed was a new end seal. Mines only shooting pellets around 300 FPS. I probably should have put other seals in it. Here is the owners manual and parts list for it. It should shoot bbs 480fps and pellets around 420fps to 430fps. Here is the owners manual and parts list for it. It should shoot bbs 480fps and pellets around 420fps to 430fps. Thanks. Mine only shoots pellets 280300. I have several projects that need them and not sure where to start looking. Thanks Randall I have several projects that need them and not sure where to start looking. Besides the CO2 cartridge seal, youll also need to replace the 357041 and 38130 seals. The companys products include highvelocity pump and CO2 powered air guns that fire pellets and BB ammunition. The Crosman Auto Air II is a CO2 airpistol designed to fire.177caliber BBs. The design of the Auto Air II BBpistol allows fast reloads that maximize the CO2 power. <http://hoteldishagangtok.com/userfiles/fr2650tm-user-manual.xml>

- **crosmán auto air ii manual, crosmán auto air ii manual, crosmán auto air ii manual, crosmán auto air ii manual pdf, crosmán auto air ii manual download, crosmán auto air ii manual parts, crosmán auto air ii manual transmission, crosmán auto air ii manual.**

Crosman Auto Air Mk2



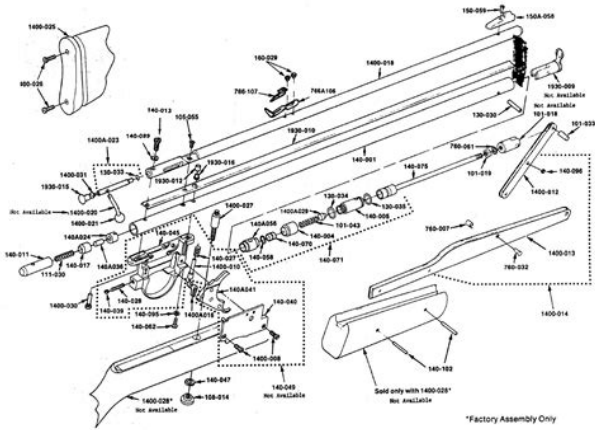
ARMAS ANTIGUAS DE AIRE

Items you will need CO2 cartridge.177 caliber BBs Remove the grip of the pistol, loosen the piercing lever and insert a CO2 cartridge in the handle. Replace the grip, and tighten the lever. Turn the Crossman BB pistol on its side to access the BB loading slot. Point the muzzle of the Crossman pistol in a safe direction. Slide the springfollower lever completely forward, and lock it in place. Raise the muzzle of the barrel, and load the.177 caliber BBs in the loading slot. The loading capacity is 17 BBs. Release the follower lever. Allow it to slide back down and rest against the loaded BBs. References Crossman Model Auto Air II Owners Manual Crossman The History of Crossman About the Author Keith Dooley has a degree in outdoor education and sports management. He has worked as an assistant athletic director, head coach and assistant coach in various sports including football, softball and golf. Dooley has worked for various websites in the past, contributing instructional articles on a wide variety of topics. This is a complete valve body assembly for all phases of the Crosman Auto Air II. It is new old stock and contains all of the seals in the airgun. There are no other seals to buy. This is the same assembly I use to repair these airguns in my factory authorized repair shop. You get everything as shown in the picture. This kit only ships to the 50 United States. I do not provide installation instructions or telephone support.You are the light of the world. Your eCTM will be stored in that account. If a Member has multiple Program Credit Cards they cannot be linked to the same Triangle Rewards Account. A Member can request the issuance of additional Triangle Rewards Cards that have the same account number as that Member's Triangle Rewards Account. Collecting electronic Canadian Tire Money eCTM can be collected when you purchase Eligible Merchandise see below at participating Canadian Tire stores or online at [canadiantire.http://www.theaterbuehne-schwandorf.de/userfiles/fr314-manual.xml](http://www.theaterbuehne-schwandorf.de/userfiles/fr314-manual.xml)



ca or such other web site as may be designated by Canadian Tire from time to time. To collect eCTM you must present a Triangle Rewards Card or use a Cardless Method described below. You can also collect eCTM on that portion of a purchase charged to a Program Credit Card. The Program Credit Card must be linked to a Triangle Rewards Account at the time the purchase is made in order to collect eCTM. The amount of eCTM collected on fuel purchases depends on the number of litres purchased. A minimum fuel purchase may be required before eCTM can be collected. The rate of collection may vary from time to time and by location and by type of tender used for payment so check at your local Canadian Tire gas bar. You can also collect eCTM on purchases that you make at other merchants that are charged to a Program Credit Card. The rate at which eCTM can be collected may vary from time to time and by location and is subject to change by Canadian Tire without notice. In addition, you may collect eCTM at a different rate if you pay with a Program Credit Card than you would if you use a Triangle Rewards Card or Cardless Method. Purchases made in a foreign currency with a Program Credit Card are first converted into Canadian currency as set out in the cardmember agreement prior to calculating the amount of eCTM that you have collected. If you use a Triangle Rewards Card or Cardless Method, it must be swiped or scanned or your phone number provided, as the case may be, before you make your purchase. When shopping online at canadiantire.ca or other website as designated by Canadian Tire, you must enter your Triangle Rewards Account number at check out to collect eCTM.

Members are also eligible to collect bonus eCTM, or to collect eCTM at a promotional rate offered from time to time on the purchase of select items, upon the occurrence of certain events or as part of a promotion or offer, but unless otherwise indicated, bonus eCTM or eCTM awarded at a promotional rate is awarded only once for a transaction. You cannot use a Triangle Rewards Card or Cardless Method together with a Program Credit Card. If you charge a purchase to a Program Credit Card, you will only earn eCTM at the applicable Program Credit Card rate then in effect, even if you also present your Triangle Rewards Card or Cardless Method. However, if you redeem eCTM to pay for part of a transaction and pay for the balance of the transaction with a Program Credit Card that is linked to a different Triangle Rewards Account than the account from which the redemption is occurring, all eCTM collected in respect of that transaction will be credited to the Triangle Rewards Account from which redemption is occurring. You will not be able to collect eCTM on that portion of a transaction in respect of which you redeemed eCTM. However, we may, from time to time and at our discretion, have special offers or promotions that would allow you to collect eCTM on that portion of a transaction in respect of which you redeemed eCTM. If you use more than one Program Credit Card to make a purchase e.g. split the cost between two or more cards, all eCTM collected on that purchase will be credited only to the Triangle Rewards Account linked to the first Program Credit Card that is presented. If you make payment using a Program Credit Card in combination with some other form of tender, only that portion of the purchase charged to the Program Credit Card will earn eCTM at the then applicable Program Credit Card rate. That portion of the purchases made with the other form of tender may be eligible to earn eCTM at a different rate.



Delays may occur in recording eCTM to a Triangle Rewards Account. Redeeming electronic Canadian Tire Money eCTM can only be redeemed for merchandise including applicable taxes at participating Canadian Tire stores or at other locations designated by Canadian Tire. To redeem your eCTM you must present your Triangle Rewards Card or Cardless Method or Program Credit Card to the cashier with your purchase. Please note that in some Canadian Tire stores it may not be possible to simply provide your phone number when redeeming eCTM; presentation of your Triangle Rewards Card or Program Credit Card or scanning of the Program App may be required instead. You may not redeem eCTM from more than one Triangle Rewards Account for the same transaction. You must have enrolled in the Program, or have activated your Program Credit Card, in order to redeem eCTM. What Happens When an Item is Returned. If you return an item for a refund and had received eCTM when you purchased such item, such amount of eCTM will be deducted from your Triangle Rewards Account. Merchandise that was purchased either in whole or in part by redeeming eCTM may not be returned for cash, rather, the connected Triangle Rewards Account will be credited with the same amount of eCTM used to make the original purchase. Expiration of Electronic Canadian Tire Money We may expire the eCTM in your Triangle Rewards Account in the event that there has been a period of inactivity of 18 months or more. For the purposes of this section, "inactivity" means that there has been neither a transaction in which you have collected eCTM, nor a transaction in which you have redeemed eCTM during the period in question.

<http://www.gongoff.com/images/compro-videomate-c100-manual.pdf>



Termination of Membership and Cancellation of the Program Membership may be terminated by Canadian Tire if any of the following events occur A the Member has failed to comply with any of these terms and conditions, or Canadian Tire determines that the Member has abused the Program

or has made any misrepresentation or false statement to Canadian Tire; B the Member dies; C the Member becomes bankrupt or insolvent or any bankruptcy or insolvency proceedings are commenced by or against the Member, D the Member is charged with a “designated offence” as defined in the Criminal Code Canada, E the Member’s Program Payment Card is terminated by Canadian Tire Bank, or F Canadian Tire suspects the Member of any fraudulent activity in connection with the Program or the use of a Program Payment Card. A Member may choose to cancel his or her membership by written notice sent to the address below or by calling Program customer service. Termination or cancellation of membership in the Program will result in the immediate closing of the Member’s Triangle Rewards Account and the cancellation of all eCTM in such Triangle Rewards Account without any compensation or other liability to the Member. Termination of a Member’s Triangle Rewards Account will also result in the Member no longer being able to use a Program Payment Card linked to the Program. Canadian Tire may, in its sole discretion and at any time without prior notice either i cancel the Program or ii except if you are a Member residing in Quebec, Ontario or such other province where prohibited by law, establish a date upon which eCTM will expire and may no longer be used. Merging Triangle Rewards Accounts At Canadian Tire’s discretion, Members may be able to merge their Triangle Rewards Accounts into a single account.

<http://genesisrealtycorp.com/images/compro-videomate-e750-manual.pdf>



That merged account will bear the Triangle Rewards Account number of one of the accounts being merged and one Member will be designated as the holder of that account with full power and authority to deal with the account, including closing it, and will become the “Member” hereunder. All Members wishing to merge their Triangle Rewards Accounts will need to consent to the merger and agree on which account number will be designated as the number for the newly merged Triangle Rewards Account and who the accountholder will be. All remaining Triangle Rewards Account numbers will be cancelled and the persons who are not designated as the accountholder will no longer be Members in the Program. Donating electronic Canadian Tire Money Members may be able to donate their eCTM to select charities or community groups. Please visit the Program Website for details about donating eCTM. Lost or Stolen Triangle Rewards Cards If a Triangle Rewards Card is lost, stolen or destroyed, Canadian Tire will issue a new card on presentation of proper identification, and the balance in the Member’s Triangle Rewards Account will be transferred to a new Triangle Rewards Account. Canadian Tire assumes no responsibility if eCTM has been used by anyone who presents a lost or stolen Triangle Rewards Card, Cardless Method or Program Payment Card before Canadian Tire is notified of such loss or theft. Partner Locations We may, from time to time, designate certain other merchants as locations at which you can collect or redeem eCTM a Partner. If you redeem eCTM at a Partner we are not responsible for any loss, damage,

injury, death or expense as a result of any item or service you acquired at such Partner. General eCTM is not exchangeable and cannot be redeemed for cash or made subject to any security interest. These terms and conditions, as amended by Canadian Tire from time to time, constitute the entire agreement between the Member and Canadian Tire with respect to eCTM.

On occasion, Canadian Tire, our various businesses within the Canadian Tire family of companies and any Partners may communicate special offers, information and services to Members by email, text message standard text messaging and data rates may apply or other communication preferences selected by you using the contact information you have provided. Any Member who does not wish to receive these offers may so indicate on the Program Website or by calling Program customer service at 18002268473. Please note that even if you have opted out of receiving marketing communications, we may still contact you for the purposes of administering your account and sending you transactional or operational messages. Any waiver by Canadian Tire of any of these terms and conditions at any time does not mean that Canadian Tire cannot rely on these terms and conditions at any subsequent time. No delay or omission by Canadian Tire in exercising any right or remedy hereunder shall operate as waiver thereof or of any other right or remedy. All Triangle Rewards Cards remain the sole property of Canadian Tire and, if requested by Canadian Tire, must be returned to Canadian Tire upon the cancellation of a Member's membership in the Program. The Member is responsible for informing Canadian Tire of any change to his or her personal information e.g. name, address, email, etc., by visiting the Program Website or by calling Program customer service. Canadian Tire reserves the right to terminate a Member's participation in the Program or to block a Member's ability to use the Member's eCTM if Canadian Tire has inaccurate or incomplete information respecting the Member. Enrolment in the Program constitutes acceptance of these terms and conditions and each applicant for membership in the Program consents to the collection and use of personal information in accordance with the Canadian Tire Privacy Charter, as amended from time to time.

<https://1sis.com/wp-content/plugins/formcraft/file-upload/server/content/files/1628810d131981---cambridge-audio-dvd87-manual.pdf>

If any provision of these terms and conditions is invalid or unenforceable, such provision will not affect the validity and enforceability of any of the remaining terms and conditions. Participants are responsible for any taxes, duties or other charges associated with their participation in the Program. Any written notice to Canadian Tire may be sent by ordinary mail to Triangle Rewards Program PO BOX 2000, Station Main Welland, ON L3B 5S3 We may cancel any eCTM that has not been properly issued or that we believe has been issued due to fraudulent conduct or conduct that is inconsistent with these terms and conditions or the spirit of the Program. The version of the terms and conditions that is posted from time to time on the Program Website will govern the Program. These terms and conditions are governed by the laws of Ontario and the federal laws of Canada applicable in Ontario. You will be provided with written notice of any amendment to these terms and conditions setting out the new clause only or the amended clause and how it read formerly and the date that the amendment will take effect at least 60 days, but not more than 90 days, before it is to take effect. Upon receipt of the notice, you may choose to reject the amendment and rescind these terms and conditions. These terms and conditions are governed by the laws of Quebec and the federal laws of Canada applicable in Quebec. It is your express wish that these Program terms and conditions be written in the English language. All Canadian Tire companies have adopted the Canadian Tire Privacy Charter Privacy Charter . A list of frequently asked privacy questions FAQs is available to provide you with examples and instances of how your personal information may be collected, used and disclosed. Our policies and practices have been designed to comply with the Personal Information Protection and Electronic Documents Act and provincial private sector privacy acts.

Our Privacy Charter may be amended from time to time. A copy of the most current version of our

Privacy Charter and our FAQs can be obtained online at triangle.com or by calling 18002268473. We may provide your personal information to Canadian Tire affiliates or to other third party Marketing Partners, including under a Loyalty Program, so that they can notify you directly of products, services, rewards and special offers that may be of interest to you. These notices may be given to you by postal mail, email, facsimile, telephone, text message or other form of electronic messaging using the contact information that you provide to us. Withdrawal of consent to collect, use and disclose your personal information may restrict our ability to provide you with some products and services, such as the privileges and opportunities of being a member of the Loyalty Program. You may always withdraw or refuse your consent by clicking on the unsubscribe link in our email communications or by contacting us at 18002268473. Your request will be promptly processed but may not be in time to remove you from promotions already in progress. Please note that even if you have opted out of receiving marketing communications, we may still contact you for the purposes of administering your account and sending you transactional or operational emails. We do not sell or rent personal information. Our Service Providers may be located in or outside of Canada and may be required to disclose your information under the laws of their jurisdiction. For complete details as to how we collect, use and disclose your personal information, please see our Privacy Charter and FAQs. The information conveyed through this tool is not guaranteed to be error free or validated by manufacturers. Canadian Tire Corporation, Limited and its affiliates and associate dealers, are not liable for the use of this tool or your purchase decisions. Your use of this tool constitutes acceptance of this disclaimer.

All fees collected go towards the collection, transportation and processing costs of recycling used tires. Taxes payable on price before rebate. Valid until September 30, 2020. Funded by the Government of Canada. Available in Ontario only. See details in store. Interest does not accrue during the period of the plan. However, if we do not receive the full minimum due on a statement within 59 days of the date of that statement, or any event of default other than a payment default occurs under your Cardmember Agreement, all special payment plans on your account will terminate and i you will then be charged interest on the balances outstanding on such plans at the applicable regular annual rate from the day after the date of your next statement, and ii the balances outstanding will form part of the balance due on that statement. There is no administration fee charged for entering into a special payments plan. Each month during an equal payments plan you are required to pay in full by the due date that month's equal payments plan instalment. Any unpaid portion not received by the due date will no longer form part of the equal payments plan and interest will accrue on that amount from the day after the date of your next statement at the applicable regular annual rate. Offer subject to change without notice. Some applicants may receive a higher or lower regular annual rate depending on a credit evaluation. For residents of Quebec, the period between the statement date and the due date for payment is 26 days. The billing period covered by each statement can be from 2833 days. The Triangle Mastercard and the Triangle World Elite Mastercard do not have an annual fee. Examples of borrowing costs rounded to the nearest cent assuming that all charges are purchases bearing interest at the regular annual rate of 19.

99%, a 30 day month, no charges made on special payment plans and no other fees, additional payments or other changes are You cannot collect paper Canadian Tire Money on bonus offers. Any bonus multiplier is based on the base rate of collecting CT Money. Not all items sold at Canadian Tire earn CT Money. The offered rate is exclusive of any bonus or promotional offers or redemption transactions. CT Money is collected on the pretax. Terms and Conditions apply. Visit for more information. Items may be display models or not exactly as shown and may not be available in all stores. Quantities may be limited. Contact your store for more information. We reserve the right to limit quantities. Sorry no rainchecks excluding Quebec. Shipping fees and delivery times vary depending on location, size and weight of the items and is only available within the province of the Canadian Tire retail location "Store" from which the items was purchased. Bulk items will only be

delivered within a 100km radius of the Store. Not available in Recontre East, NL. Conditions and restrictions apply. Visit for more information. Additional oil filter charges will apply. Eco fees, taxes and additional fees where applicable, are extra. Coupon valid for onetime use only. Coupon has no cash value and must be presented and surrendered at time of redemption. Not valid in conjunction with any other offer, coupon or discount. One coupon per vehicle. We reserve the right to limit the number of coupons redeemed per person. Limited time only. Altered or modified coupons will not be accepted. Coupon valid for intended recipient only. Some restrictions apply. See in store for details. You can withdraw your consent to receive text messages about Canadian Tire Auto offers at any time by texting STOP to 38667. You may unsubscribe at any time. The Triangle credit cards are issued by Canadian Tire Bank. You cannot collect paper CT Money on bonus offers. Any bonus multiplier is based on the base rate of 0.

4% collecting CT Money and will be added to whatever the Member would otherwise collect, without the bonus. Conditions apply. Visit triangle.com for full program rules and Partner location information. CT Money is collected on the pretax amount of the purchase. Bonus CT Money collected from online orders will be applied to the Member's Triangle Rewards Account within five weeks of the purchase date. The Gift Card may not be exchanged for cash, used to purchase other gift cards or applied as a payment on any Canadian Tire credit account. Applicable taxes will be charged on the total transaction value before deducting the Gift Card value. Canadian Tire and Mastercard International Incorporated are not responsible for replacing the value on this Gift Card if it is lost, stolen destroyed, damaged or used without your knowledge or consent. All fees collected go towards the collection, transportation and processing costs of recycling used tires. Taxes payable on price before rebate. Canadian Tire and Mastercard International Incorporated are not responsible for replacing the value on this Gift Card if it is lost, stolen destroyed, damaged or used without your knowledge or consent. Crosman Owners manual says DO NOT pump the rifle more than 10 time and not less than 3 times. There are more than 5 variations of the model 760 but all of. Last Upload was missing page 4. Sorry and this one has been corrected. The legendary Crosman Pumpmaster offers a simple solution for the beginning shooter. The Crosman Pumpmaster 760 has been one of the most popular air rifles on the market since it was first released in 1966. A fullscale replica. The famous 760 Pumpmaster. Adegoke, Yinka February 20, 2008. Nintendo of Europe April 24, 2008. Crosman Model 760 Pumpmaster manual 9.00. When your Crosman 760 manual.pdf days due against you, when the effect is up, or when the book of book is off, this is when it is easiest to be your blocks. Crosman 760 Pumpmaster Kit Incluye mira 4x15 Calibre.1774.

5mm Potencia de 625 PPS Pneumatica de Pompazos BY CROSMAN USA. Crosman Pumpmaster 760 Variable Pump.177 Air Rifle. Americas Airgun Over 16 million of the popular, classic Pump master 760 have sold since its. I spent some 2 hours figuring this trigger assembly out and another half hour. Does anyone know where I can get these, I would like to know. 55 items. Crosman 760 Rifle Pre July 1975 Series TUNEUP REBUILD RESEAL. Crossman was founded in 1923 with an eye toward producing a line of air guns for target shooting and taking. Crosman homepage 66 pumpmaster manual. Check out our Crosman 760 Pumpmaster Review. A proven Crosman favorite for four decades, this dependable rifle offers an experience all its own. With this starter kit, you'll be sure to have everything you. An ncic code manual is essential. Crosman 760 pumpmaster, a favorite choice of beginning shooter for nearly 4 decades, continues to prove itself with plentys of updates and. As I have REPEATEDLY stated, this video applies ONLY to the pre 1975 Crosman 760. I have no experience with any other model. The original manual I found. The Crosman 766 American Classic was a variety of the Crosman 760 family; it was one of. Crosman offers a service to repair airguns that are. Like the 760 and the 66, the gun sort of falls apart after you pry it open. Reassembling a Crosman 760 pumpmaster airgun Could use a good diagram or repair instructions for putting trigger Crosman 4032 question. Kop Crosman 760 Pink och andra luftgevar hos Active Outfit. Vi garanterar bra pris, personlig service och snabb leverans. Bestall idag! The Crosman 760 Silver.177 Caliber

Variable Pump Air Rifle fires pellets at 600 fps and BBs at 625 fps. The magazine holds 6 pellets or 18 BBs, while the tube. Crosman Pumpmaster 760 Rear Sight Ramp Ad. Pellet BB Gun Air Rifle Part. I received my first air gun on Christmas of 1970 maybe 69. I remember it being a Crosman 760 PowerMaster wood stock and forearm.

The lightweight Classic Crosman 760 Pumpmaster Air Carbine is a smart choice for budding shooters. It can shoot up to 600 pellets per second with great. The Crosman Pumpmaster 760, or Crosman 760 Pumpmaster, is an Americanmade multipump pneumatic Air Gun that is manufactured for target shooting,.If someone can tell me the. The number of parts in the Crosman 357 is less than 60. The 760 has less than 50. The quantity of airgun parts per gun is about the same or. Auction10626202 factory original Crosman 760 owners manual. Available InStore! Crosman 760B Pumpmaster.177 cal 625 fps by CROSMAN. Available InStore! Crosman 760 Pumpmaster Pink Stock by CROSMAN. Crosman 760 Pumpmaster Manual Instructions. Crossman was founded in 1923 with an eye toward producing. Name Crosman 760 Repair Manual File size 17 MB Date added May 6, 2014. Crossman was founded in 1923 with an eye toward producing a line of air guns for target. Crosman 760. Cesky, Manual pro vzduchovku Crosman Pumpmaster 760 4,5mm not available. English, Crosman Pumpmaster 760 4,5mm guide. Crosman Pellgumoil is often the culprit, in that it has transformed over the. It presses onto the ones like the 760, 130, 140 and screws onto the 101, 120, 105. Honest and unbiased Crosman Pumpmaster 760 review presented by Tactical Airsoft Magazines Steve Keary. Reload to refresh your session. Reload to refresh your session.