



File Name: cow humidifier manual.pdf

Size: 2264 KB

Type: PDF, ePub, eBook

Category: Book

Uploaded: 17 May 2019, 20:36 PM

Rating: 4.6/5 from 556 votes.

Status: AVAILABLE

Last checked: 10 Minutes ago!

In order to read or download cow humidifier manual ebook, you need to create a FREE account.

[**Download Now!**](#)

eBook includes PDF, ePub and Kindle version

[Register a free 1 month Trial Account.](#)

[Download as many books as you like \(Personal use\)](#)

[Cancel the membership at any time if not satisfied.](#)

[Join Over 80000 Happy Readers](#)

Book Descriptions:

We have made it easy for you to find a PDF Ebooks without any digging. And by having access to our ebooks online or by storing it on your computer, you have convenient answers with cow humidifier manual . To get started finding cow humidifier manual , you are right to find our website which has a comprehensive collection of manuals listed.

Our library is the biggest of these that have literally hundreds of thousands of different products represented.



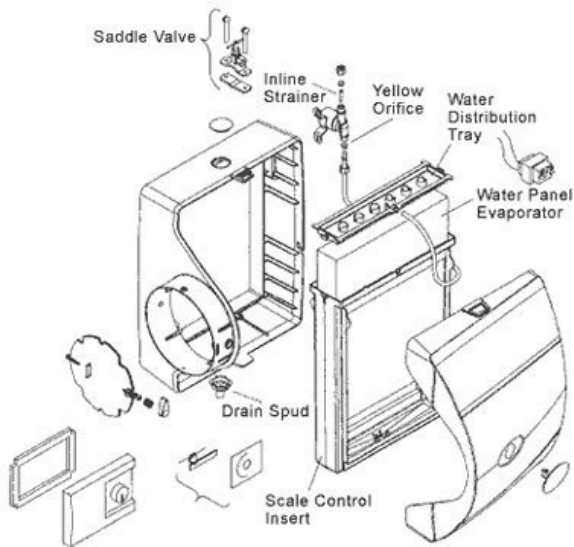
Book Descriptions:

cow humidifier manual



Featuring an award winning, child friendly animal designs and top rated performance. Crane's 1 Gal. Adorable ultrasonic cool mist humidifiers provide up to 500 sq. ft. of coverage and 24 hours of soothing moisture to help relieve the effects of dryness and congestion, helping you and your family to breathe easy and sleep through the night peacefully. The Crane Adorable cool mist humidifiers offer variable output settings and an adjustable 360 degree mist lid making it easy to send the mist in any direction. The mist output is perfect for humidifying rooms up to 500 square feet, which is a standard medium to large sized room. This cow humidifier is made with clean control antimicrobial material which reduces mold and bacteria growth by up to 99.96%. Our humidifiers are filter free, but we offer an optional demineralization filter HS1932 for those with excessive minerals in their water that screws directly into the tank. It also is equipped with an automatic shutoff safety feature that turns the unit off when the water runs out. The water level sensor and cap also are removable, giving you access to clean the entire base. We recommend cleaning the humidifier based on frequency of use and provide many educational resources on how to clean your humidifier. Humidifiers add moisture to indoor air, relieving congestion from the common cold and flu and soothing scratchy throats, dry skin and eyes, and irritated sinuses. Perfect for babies, adults, and everyone in between, a humidifier's additional moisture thins the mucus in the sinuses, making it easier to breathe. And we know that when it comes down to your family's health, you're all about breathing easy. Even if you're feeling great, our Adorable Humidifiers are musthaves. From smooth skin to shiny hair to caredfor furniture, they keep you and your home looking beautiful and feeling comfortable. Then adjust the dial down to the proper mist output. <http://faxime-k.com/userfiles/fjs-600-service-manual.xml>

- crane cow humidifier manual, cow humidifier manual.



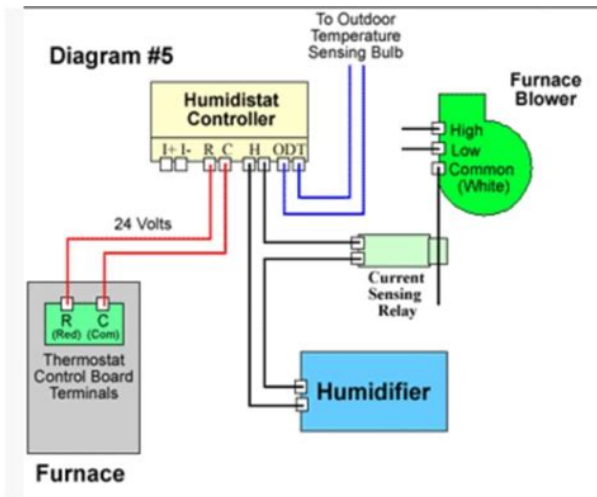
The humidifier's fan whirs quietly as it disperses a soothing mist into your noticeably comfortable living space. But whether you decide to put your Adorable front and center or be more discreet, it should never be on a watersensitive surface or on a carpet or towel to avoid damage to the humidifier and your home. Instead, place it on a flat, watersafe surface at least three feet off the ground for maximum evaporation. Select a lighter mist setting to lower the room's humidity and, as always, keep the door open a crack. You still get the humidifier's benefits, but with crystal clear windows. When the Adorable gets to work, its ultrasonic process breaks up those minerals, creating a fine, white dust. To bust the dust, we recommend using distilled water, filtered water, or a Crane Demineralization Filter. A nebulizer vibrates at an ultrasonic frequency to create mist that easily dissipates into the air rather than droplets that fall to the ground. Ultrasonic humidifiers are highly effective, but because of the vibrations you may notice a fine white dust collecting from highmineral water. If so, try a Crane Demineralization Filter. One might be necessary if you notice a fine dust collecting near your Adorable, but you can switch to distilled or filtered water to lower the dustbuilding mineral content. Crane Demineralization Filters help remove excess minerals, reducing the white dust so your air and your home stays clean. We recommend emptying the water tank and basin daily and disinfecting them at least once a week. Try adjusting the setting so you can see the mist going up into the air, not down onto the surface. If that doesn't work, be sure the rubber ring inside the water tank is secure. And if you move your humidifier often, always have a towel on hand and move the tank and basin separately. This can be fixed very simply. <http://hk-delight.com/UploadFiles/fjs-600-silverwing-workshop-manual.xml>



The water level sensor float looks like a large white washer and the cap looks like a small plastic lid with a paperclip going through the top of it. Just place the water level sensor float onto the tall, thin

peg towards the left side of the humidifier base. The cap can then be snapped in place atop that same peg. Too much water may prevent the humidifier from misting properly. And while you're checking the water basin, make sure there aren't any foreign objects in it. If the humidifier is not on a flat, waterproof surface, it's possible that fibers from a carpet or towel have blocked the vent. If you are replacing an Adorable Water Tank, please check to see if you have 1 Light on the front of your humidifier or 2, one red and one green. This will help you order the proper tank. Please note that not all 1 Light Adorable Water tanks are in stock because we are phasing them out. All 1 Light tanks fit on all 1 Light humidifiers, so you may mix and match tanks if you're feeling creative! The chemicals Bishenol A and Phthalate are not used in the manufacturing process. The humidifier base has electrical components and should be dropped off at an E-Waste recycling center. Find an E-Waste site near you. Please try again later. Our payment security system encrypts your information during transmission. We don't share your credit card details with thirdparty sellers, and we don't sell your information to others. Open Box Like NewSomething we hope you'll especially enjoy FBA items qualify for FREE Shipping and Amazon Prime. Learn more about the program. Please try again. Please try again. The Crane Adorable cool mist humidifiers offer variable output settings and an adjustable 360 degree mist lid making it easy to send the mist in any direction. The mist output is perfect for humidifying rooms up to 500 square feet, which is a standard medium to large sized room. This cow humidifier is made with clean control antimicrobial material which reduces mold and bacteria growth by up to 99.

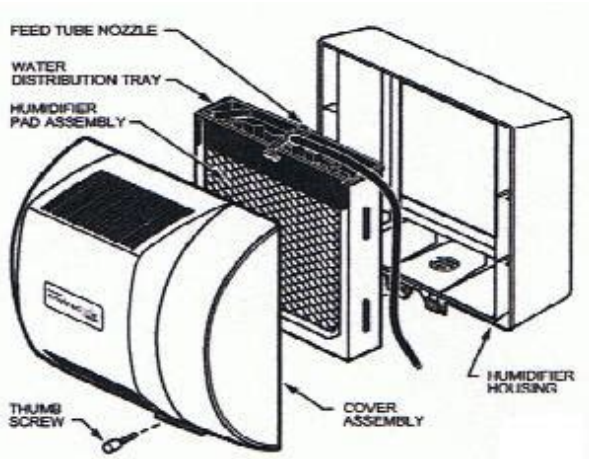
96% Our humidifiers are filter free, but we offer an optional demineralization filter HS1932 for those with excessive minerals in their water that screws directly into the tank. It also is equipped with an automatic shutoff safety feature that turns the unit off when the water runs out. The water level sensor and cap also are removable, giving you access to clean the entire base. We recommend cleaning the humidifier based on frequency of use and provide many educational resources on how to clean your humidifier. In order to navigate out of this carousel please use your heading shortcut key to navigate to the next or previous heading. Register a free business account. Please try your search again later. The ultrasonic cool mist increases moisture in the air for easier breathing and a good night's sleep. The ultrasonic vibrations produce fine mist particles that are cool to the touch. Cool mist is also recommended to relieve croup. This means they breathe through their nose for the first 46 months. Humidifiers help clear newborns' congestion so they breathe easier, sleep better and feed with less frustration. Featuring an award winning, child friendly animal designs and top rated performance, Crane's Adorable Ultrasonic Cool Mist Humidifiers provide up to 24 hours of soothing moisture to help relieve the effects of dryness and congestion, helping you and your Family to breathe easy and sleep through the night peacefully. The moisture that humidifiers add to dry air also help alleviate many common nuisances brought on by winter heating such as static electricity, peeling wallpaper, shrinking wood, and cracks in paint and furniture. Humidifiers are an ideal choice for relieving the discomforts of nasal congestion, dry itchy skin and hair, chapped lips, nose bleeds, and dry throats. Recent studies by the Center for Disease Control have also shown that relative humidity levels between 43% and 60% helps prevent the movement of germs, including the flu virus.



<http://www.familyreunionapp.com/family/events/boss-me-20b-manuale-italiano>

Humidifiers are especially important for Newborns because they are Obligate Nasal Breathers, breathing only through their tiny noses for their first 4 6 months. Any congestion can make breathing, feeding, and sleeping incredibly difficult for your little one. Not only that, but many pediatricians recommend the use of a humidifier as a safe, non medicated, all natural alternative to help relieve congestion from the common cold and flu instead of potentially harmful overthecounter cough and cold medicine. Cranes cheerful designs complement any childrens bedroom decor. Merchant Video Next page Upload your video Video Customer Review Crane USA FilterFree Cool Mist Humidifiers for Kids, Penguin. Crane adorable humidificador ultras. See full review Merchant Video Onsite Associates Program Just fill the 1 gallon tank in the sink fits most common sized sinks and switch the unit on. The Cow Humidifier will produce cold mist instantaneously. The mist output can be regulated with the control button located at the front. To calculate the overall star rating and percentage breakdown by star, we don't use a simple average. Instead, our system considers things like how recent a review is and if the reviewer bought the item on Amazon. It also analyzes reviews to verify trustworthiness. Please try again later. Amanda 1.0 out of 5 stars First offense was warping the wood of the shelf. This is not a problem they will do a return for btw, since they warn you to place it on plastic in the manual. The customer service rep snidely informed me of this. Most of all, there is the gd cap. Look at the photos. Look really good. See those pegs next to where the cap screws on. See that wall just to the left Yeah. Have fun getting your fingers around that sucker with any sort of grip if your fingers are larger than a childs. The obscenities I have screamed trying to get that sucker open didnt help a bit.

<http://columbuscigar.com/images/98-honda-civic-owners-manual-pdf.pdf>



Honeywell HE365 components

I tried a rubber wrench and that doesnt work because there isnt even enough distance between the pegs and the wall to turn the effing thing with any effect. Seriously! Look, the last thing a parent needs when theyre struggling with sick children is a mf pos humidifier, Im already barely making it to bedtime here people. Ive dealt with screaming, cranky kids all day; I dont need this too. I wanted to like this, my son loves trains, seemed like a cute idea, AND its FIFTY FRICKING DOLLARS but I HAAAAATE it. I hate it in my soul. I want to watch it melt in a fiery furnace, where it can never cause torment to me or anyone else on this planet again. Must be at least 2 feet off the ground on a smooth surface, not on metal or towel or carpet or anything linty, etc. All our furniture is wood. What surface do they think people have in a childs bedroom that meets this criteria. I tried to call the number on the manual to find out. I was on hold for 15 minutes timed on my phone, it kept telling me I was number 4, then number 3 etc. When it says I was next, all it did was provide me with the option to leave a voicemail. Seriously, you made me wait 15 minutes for that. Unacceptable. I am very disappointed with this company. I noticed some bad reviews about this product not working very well. I was concerned, however, it may be the user and not the product. Yesterday the light turned red and I was like OMG its not working. I checked the machine and where you put the water there is a tray that clearly says drain water this way daily. I didnt do that. I honestly didnt review the directions completely. After reading this I reviewed the directions and it also recommends weekly cleanings with vinegar. I think as long as I follow the directions for proper care for this product it should work properly. After dumping the water it started to function properly. It looks great, runs perfectly and is quiet as to not disturb a sleeping child.

<https://cohemployeenews.com/images/98-honda-civic-parts-manual.pdf>



The only negative with most humidifiers is that it is difficult to clean the tank real good. But even after having this for a few years and cleaning it probably less effectively than we should, it still works great. I would highly recommend this product and if this one ever stops working, I will definitely be buying a new one. Please rate my review as helpful if you feel it was. I was lucky enough to find someone again. Ill be honest I never put it on the shelf it was always on the ground and it worked great. I dont believe that its safe to inhale essential oils for anyone, so it really doesnt matter that you cannot use essential oils with this unit. I bought another humidifier but it started making loud noise and waking up the baby so I returned it. From my experience having this one for 10 years, it works great, very quiet and no light. Recommend it for sure. Both perform quite well and seem to be less fuss than traditional humidifiers. For the past few months we have been running the penguin humidifier in our newborns room using a Crane filter and filtered RO water. The humidifier only ran at night. The ENTIRE house was covered in white powder. It especially was concentrated in and around the tv and other electronic appliances. We tried buying filtered water and did not notice a change. I spoke to the very helpful people at Crane and they said I would have to switch to distilled water, even though I cleaned the unit weekly and used filtered water and their filters. The white powder was a daily chore to keep cleaned up and I am still in awe that it could be everywhere in the house. We started buying distilled water and the problem immediately resolved itself. If you are thinking about one of these units I would encourage you to take the plunge. they are quiet and easy to use. You must, though, be prepared to buy distilled water. I dont know if it did the job as she was still coughing and congestion but its a great product. Sorry, we failed to record your vote.

Please try again Sorry, we failed to record your vote. Please try again Sorry, we failed to record your vote. Please try again We used a demineralization filter and cleaned it regularly. We lost the proof of purchase for the first unit, and were currently going through the warranty process for the second one; so far, Cranes customer service has been very slow to respond and not particularly clear when they do. I expect well receive a replacement unit eventually, but they seem reluctant to honour their warranty. The humidifier is very cute. We really liked the design, but based on our experience it is not reliable. I would not recommend it. Sorry, we failed to record your vote. Please try again I clean it regularly i aim for once a week and that keeps away smell. I find it to be QUIET and I love that. I wish the LED light was a little less bright but I put a small piece of tape near the LED area and that

does the trick. Would recommend this. Sorry, we failed to record your vote. Please try again In order to navigate out of this carousel please use your heading shortcut key to navigate to the next or previous heading. We recommend that you do not solely rely on the information presented and that you always read labels, warnings, and directions before using or consuming a product. For additional information about a product, please contact the manufacturer. Content on this site is for reference purposes and is not intended to substitute for advice given by a physician, pharmacist, or other licensed healthcare professional. You should not use this information as selfdiagnosis or for treating a health problem or disease. Contact your healthcare provider immediately if you suspect that you have a medical problem. Information and statements regarding dietary supplements have not been evaluated by the Food and Drug Administration and are not intended to diagnose, treat, cure, or prevent any disease or health condition. Amazon.

<https://www.avenueroadadvertising.com/wp-content/plugins/formcraft/file-upload/server/content/files/1628697e41054c--Ca-traffic-manual-department-transportation.pdf>

com assumes no liability for inaccuracies or misstatements about products. It provides moisture for nasal congestion, dry cough, sinus irritation and dry skin. Your child will love the relief provided by the cool mist to soothe cold, cough and flu symptoms, and will also be delighted by the adorable and friendly appearance. The humidifiers tank holds up to one gallon of water which runs whisper quiet for up to 24 hours. When the tank is empty the humidifier will turn off all by itself, saving you power and potential damage to the motor. The tank is removable and fits easily under most bathroom sinks. Whats in the box humidifier, water tank, instructions. The warranty is void if the defect is due to accidental damage, misuse, abuse, neglect, improper repair or alteration by unauthorized persons or failure to follow operation instructions provided with the product. This warranty does not apply to commercial use. The warranty is nontransferable and applies only to the original purchase and does not extend to subsequent owners of the product. Liability under this warranty is limited to repair, replacement or refund. CleanSmart is medicaldevice approved to disinfect medical equipment and is a convenient and safe way to clean CPAP equipment, humidifiers and masks. The small bottle delivers a fine mist for fast, convenient use. Norinse required! Wipe or air dry. Kills 99.99% of bacteria, viruses, and fungus without harsh fumes. Run it through your Ultrasonic humidifier, evaporator or vaporizer, and it will dissolve calcium scale, lime and mineral deposits. The humidifier can run up to 24 hours, requiring you to refill the tank 2 and a half times. This Cold Mist Humidifier has an autooff function that activates when the water tank is empty. The device has a variable mist output control to customize the rate of output and also has a variable humidity control feature that gives you more options. This humidifier from Crane also features a power on light indicator.

This humidifier is FDA registered. Also included with this humidifier are traditional power cords that will work with normal home outlets. This humidifier is ultrasonic, meaning it isnt noisy and wont keep you up at night. It provides moisture for nasal congestion, dry cough, sinus irritation and dry skin. Your child will love the relief provided by the cool mist to soothe cold, cough and flu symptoms, and will also be delighted by the adorable and friendly appearance. As an added bonus, the humidifier also includes an attached nightlight to make bedtime easier. The humidifiers tank holds up to 1 gallon of water, which runs whisper quiet for up to 24 hours. When the tank is empty the humidifier will turn off all by itself, saving you power and preventing damage to the motor. The tank is removable and fits easily under most bathroom sinks. Featuring an adorable, child friendly animal design, the BPAfree Crane Ultrasonic Cool Mist Humidifier provides up to 24 hours of moisture on medium setting from its removable one gallon water tank. Suitable for rooms up to 250 square feet in size, this compact unit is energy efficient and uses ultrasonic technology to add soothing moisture to the air. Cranes cool mist humidifier provides a nonmedicated relief for dry cough, nasal congestion and cold and flu symptoms. Crane humidifiers are a great gift for baby showers, birthdays and holiday season. This humidifier does not require a filter to operate. Relief from Cold

and Flu Symptoms, AwardWinning Design When children have stuffy noses and congestion, it is very difficult for any parent to hear them struggle to breathe. The Crane Ultrasonic Cool Mist Humidifier releases up to 2.1 gallons of moisture into the air per day to soothe nasal passages and dry coughs so that children can breathe easier and sleep peacefully at night.

The Crane Ultrasonic Cool Mist Humidifier has received numerous awards, including the iParenting Media Award, Parent Tested Parent Approved Award, Moms Best Winner, and 2010 Creative Child Magazine Award. It is also FDA and patent registered. Benefits of This Crane Humidifier Humidifiers are an ideal choice for relieving the discomforts of nasal congestion, dry itchy skin, chapped lips, nose bleeds, and dry throat. The moisture that humidifiers add to dry air helps alleviate common nuisances brought on by winter heating, such as static electricity, peeling wallpaper, and cracks in paint and furniture. Many pediatricians recommend the use of a humidifier to help relieve congestion from the common cold and flu as an alternative to overthecounter cough and cold medicine. Straightforward, WhisperQuiet Operation Cranes cheerful design complements any childrens bedroom decor. Not only are Crane humidifiers adorable, but they are also easy to use, and include a builtin autoshutoff feature that engages when water tank is empty to ensure safety. Plus, they require less power than a standard light bulb. The whisperquiet operation helps provide for a good night sleep for everyone. Operating the Crane Ultrasonic Cool Mist Humidifier requires only a few easy steps. Simply remove the water tank from the unit, unscrew the tank cap, and fill the onegallon water tank under a water faucet. Securely replace the tank cap, making sure the rubber cap seal is in place, and place the water tank back onto the unit. Place the humidifier on an elevated surface and set it to a medium output setting for comfortable room humidification. Important Tips If you have a lot of minerals in your tap water, it is recommended to use distilled water, filtered water, or a Crane demineralization filter HS1932. Place humidifier on an elevated surface and not on carpet, towel, or sensitive wood furniture. Cleaning and Storage Frequently cleaning your humidifier is very important.

Crane recommends emptying the water in the basin daily, making sure you pour away from the fan airoutlet. Disinfect the water basin and tank weekly by using a white vinegar and fresh water solution, let sit for 30 minutes, then rinse. For convenience, the Crane Descaler solution HS1933 is also available. It is important to disinfect and dry completely before storage. Instruction Manual Please see individual product pages for details. Product you would like to return must be in its original state, unused and in original packaging. The exchange must be done within 14 days from purchase, and proof of original Web Order receipt is required. Click here for more information. Humidifiers add essential moisture to indoor air, relieving congestion from the common cold and flu and soothing scratchy throats, dry skin and eyes, and irritated sinuses. Perfect for babies, adults, and everyone in between, a humidifiers additional moisture thins the mucus in the sinuses, making it easier to breathe. And we know that when it comes down to your familys health, youre all about breathing easy. Even if youre feeling great, our Drop Humidifiers are musthaves. From smooth skin to shiny hair to caredfor furniture, they keep you and your home looking beautiful and feeling comfortable. Now thats Better Living. Their nostrils are so small that even the tiniest clog can make everything from feeding to sleeping difficult and frustrating. Perhaps more importantly, the American Academy of Pediatrics advises against using Over the Counter Cold Medication for children under the age of 6. For these reasons, pediatricians recommend using Cool Mist Humidifiers to relieve cold and flu symptoms in children. Cool Mist Humidifiers use an Ultrasonic Nebulizer that vibrates at a very high frequency to produce an extra fine water mist. When it comes to humidifying a room, there is not much of a difference between the two types both are equally effective.

However, pediatricians and parents alike recommend Cool Mist Humidifiers for babies and children because there is no heating element, which could be a safety risk for a child. Cool Mist Humidifiers

can also save money on energy costs. We highly recommend emptying the water tank and basin after each use and disinfecting them at least once a week with water and a few capfuls of white vinegar. Please check the Manual for further instructions. One might be necessary if you notice a fine white dust collecting near your Adorable you can also switch to distilled water to lower the dustbuilding mineral content. Crane Demineralization Filters remove excess minerals, reducing the white dust so your air and your home stays clean. I want to show it off. Whether you decide to put your Adorable front and center or to be more discreet, it should never be on a watersensitive surface or on a carpet or towel to avoid damage to the humidifier and your home. Instead, place it on a flat, watersafe surface at least three feet off the ground for maximum evaporation and three feet away from a sleeping person. As always, leave the room door open just a crack. The unit is now ready to be stored. For detailed instructions, please check the User Manual. However, most additives, specifically essential oils, work with heat and must be evaporated to activate their effects. These should not be used in Cool Mist Humidifiers as they could compromise the internal components. View question guidelines You are also required Your email address and other PII will be used in accordance with the Terms and Privacy Policy. I'm frustrated with dehumidifiers that have little nooks and crannies that are impossible to clean. 2 Answers This question is for Crane Sidney the Sheep 1 Gal. Ultrasonic Cool Mist Humidifier Cream By Sb 1 year ago Helpful 0 Unhelpful 0 Report Sorry, there was a problem. Please try again later.

Answer this question Answers Best answer It's very easy to clean and remove the parts for cleaning. All the parts are mainly large and can be easily cleaned within a few mins. By Joshua 1 year ago Verified Purchase Helpful 1 Unhelpful 0 Report Sorry, there was a problem. Please try again later.

Show more answers Question Q How do you fill it up. No instructions 2 Answers This question is for Crane Ultrasonic 1Gal. Cool Mist Humidifier Elephant By Anonymous 2 years ago Helpful 0

Unhelpful 0 Report Sorry, there was a problem. Please try again later. Answer this question Answers Best answer To fill up the crane elephant humidifier. You take off the water tank and turn upside down to remove the water tank cap to fill. Screw back on the cap and place onto the base so water can transfer down. I am sorry you did not receive a manual. If you call customer care a manual can be mailed to you. 8885990992 By CraneCustomerSupport 2 years ago Helpful 1 Unhelpful 0 Report Sorry, there was a problem. Please try again later.

Show more answers Question Q does this humidifier need a filter inserted. 5 Answers This question is for Crane Ultrasonic 1Gal. Cool Mist Humidifier Elephant By elephant 3 years ago Helpful 0 Unhelpful 0 Report Sorry, there was a

problem. Please try again later. Answer this question Answers Best answer No it does not. By Jlyne 3 years ago Verified Purchase Helpful 1 Unhelpful 0 Report Sorry, there was a problem. Please try

again later. Show more answers Question Q What is the true humidifying capacity range. The Best Buy website product description states the capacity is up to 500 square feet, but the product owners manual provided by Crane PDF download as well as actual Crane website states humidifying capacity up to 250 sq. ft. My comparison shopping of different models depends on accurate information as to how large a room is covered. Thank you! 2 Answers This question is for Crane 1Gal.

Ultrasonic Cool Mist Humidifier Red By Anonymous 4 years ago Helpful 1 Unhelpful 0 Report Sorry, there was a problem. Please try again later. Answer this question Answers Best answer The adorable line Crane humidifier is 250sq ft. If you have any further questions please feel free to contact Crane Customer Care 8885990992 By CraneCustomerSupport 4 years ago Helpful 1 Unhelpful 0 Report

Sorry, there was a problem. Please try again later. Show more answers Question Q Can you add Vicks liquid 1 Answer This question is for Crane Adorable Humidifiers 1Gallon Humidifier Green By Judy 2 years ago Helpful 0 Unhelpful 0 Report Sorry, there was a problem. Please try again later.

Answer this question Answers A No vicks liquid can be added to the crane cool mist humidifier. Please add only cool water to this unit. If you need any further assistance please do not hesitate to cali Crane Customer Care 8885990992 By CraneCustomerSupport 2 years ago Helpful 0 Unhelpful 0

Report Sorry, there was a problem. Please try again later. Question Q Does this unit put out a white powder into the air 3 Answers This question is for Crane Sidney the Sheep 1 Gal. Ultrasonic Cool Mist Humidifier Cream By Misty 3 years ago Helpful 0 Unhelpful 0 Report Sorry, there was a problem. Please try again later. Answer this question Answers Best answer no just a mist By Bookie 3 years ago Verified Purchase Helpful 1 Unhelpful 0 Report Sorry, there was a problem. Please try again later. Show more answers Question Q does it have an automatic shut off 4 Answers This question is for Crane Chip the Robot 1 Gal. Ultrasonic Cool Mist Humidifier Gray By dcr 3 years ago Helpful 0 Unhelpful 0 Report Sorry, there was a problem. Please try again later. Answer this question Answers A I think so. But it is not literally shut off. It stop work after the water goes out. By aoteman 3 years ago Verified Purchase Helpful 0 Unhelpful 0 Report Sorry, there was a problem.

<http://www.bosport.be/newsletter/boss-me-33-manual-espa-ol>